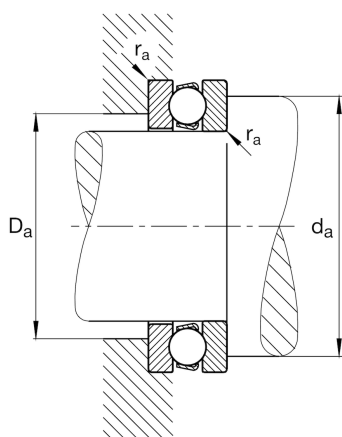
**FAG****51211**

Axial deep groove ball bearing

Schaeffler ID:
0167150980000Axial deep groove ball bearing 512, single
direction, steel sheet metal cage

Technical information



Main Dimensions & Performance Data

d	55 mm	Bore diameter
D	90 mm	Outside diameter
T	25 mm	Height
C_a	58,000 N	Basic dynamic load rating, axial
C_{0a}	133,000 N	Basic static load rating, axial
C_{ua}	6,000 N	Fatigue load limit, axial
n_G	4,350 1/min	Limiting speed
n_{gr}	5,700 1/min	Reference speed
	0.557 kg	Weight

Dimensions

r_{min}	1 mm	Minimum chamfer dimension
D_1	57 mm	Bore diameter housing washer
d_1	90 mm	Lip diameter shaft washer

Mounting dimensions

$d_{a min}$	76 mm	Minimum diameter shaft shoulder
$D_{a max}$	69 mm	Maximum diameter of housing shoulder
$r_{a max}$	1 mm	Maximum recess radius

Additional information

A	0.11	Minimum load factor
---	------	---------------------

Temperature range

T_{min}	-30 °C	Operating temperature min.
T_{max}	150 °C	Operating temperature max.